

LOCATION		DATE
PREPARED BY		QUANTITY
COMMENTS		FIXTURE TYPE
CATALOG NUMBER		

PROD No. C8310-WH

FEATURES & DIMENSIONS

CONSTRUCTION

Die Form Steel.

STRUCTURE FINISH

Matte White

DIFFUSER FINISH

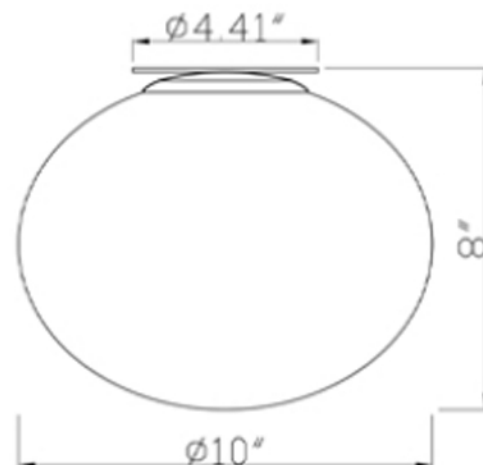
White Opal Glass

ELECTRICAL

Input 120VAC / 60HZ

LIGHT SOURCE

1 x E26 Medium Base
60Watt MAX



CERTIFICATION

cETLus Approved -

Warranty

5 Year Warranty From Date of Purchase.

Specifications and dimensions
subject to change without notice.

