

LOCATION		DATE
PREPARED BY		QUANTITY
COMMENTS		FIXTURE TYPE
CATALOG NUMBER		

PROD No. FW7036MB-CEA

FEATURES & DIMENSIONS

CONSTRUCTION

Die Form Steel.

STRUCTURE FINISH

Matte Black

DIFFUSER FINISH

Clear Edge Acrylic.

White Inside.

ELECTRICAL

Input 120VAC / 60HZ

LIGHT SOURCE

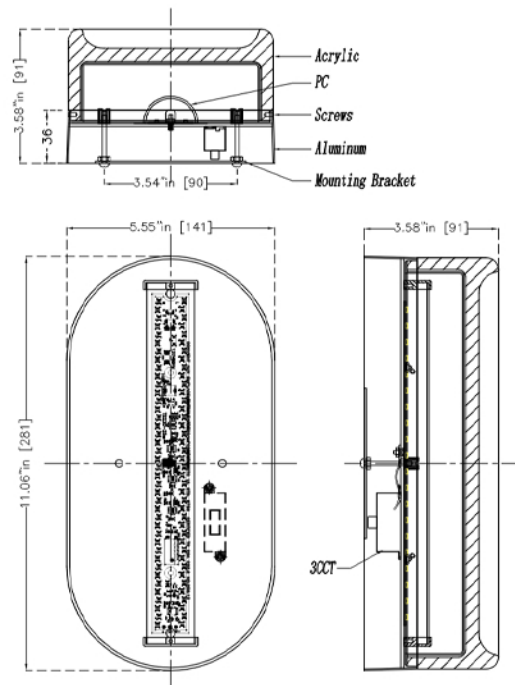
Integral LED Module.

20W = 1560 Delivered Lumens

3CCT:2700K,3000K,4000K

90 CRI

Dimmable- TRIAC/ELV 100%-10%



CERTIFICATION

cETLus Approved

Warranty

5 Year Warranty From Date of Purchase.

Specifications and dimensions
subject to change without notice.

