

LOCATION		DATE
PREPARED BY		QUANTITY
COMMENTS		FIXTURE TYPE
CATALOG NUMBER		

PROD No. VL1857-3AB

FEATURES & DIMENSIONS

Mounting: All orientation- Horizontal or Vertical

CONSTRUCTION

Die Form Steel.

STRUCTURE FINISH

Aged Brass

DIFFUSER FINISH

White Opal Glass

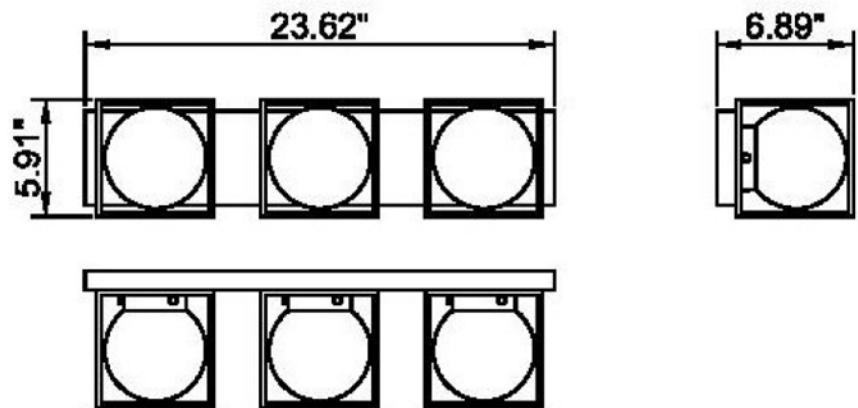
ELECTRICAL

Input 120VAC / 60HZ

LIGHT SOURCE

3 x E26 Medium Base

60W Max



CERTIFICATION

cETLus Approved - Damp / Dry Location

Warranty

5 Year Warranty From Date of Purchase.

Specifications and dimensions subject to change without notice.

